

Smart solutions for global window systems.



COMFORT

DOPPIA MANIGLIA



Doppia maniglia | Double handle
Bequille double | Manilla doble



Manico in alluminio pressofuso; cassa, copricassa e rotore in zama; molla in acciaio zincato; boccole anti frizionamento in delrin. Perno e viti in acciaio.



Die-cast aluminum handle; zamak body, case and rotor; galvanized steel spring; Delrin low-friction bushing.



Béquille en aluminium moulé sous pression; caisse, couvre-caisse et rotor en zamak; ressort en acier zingué; bagues anti-friction en delrin.

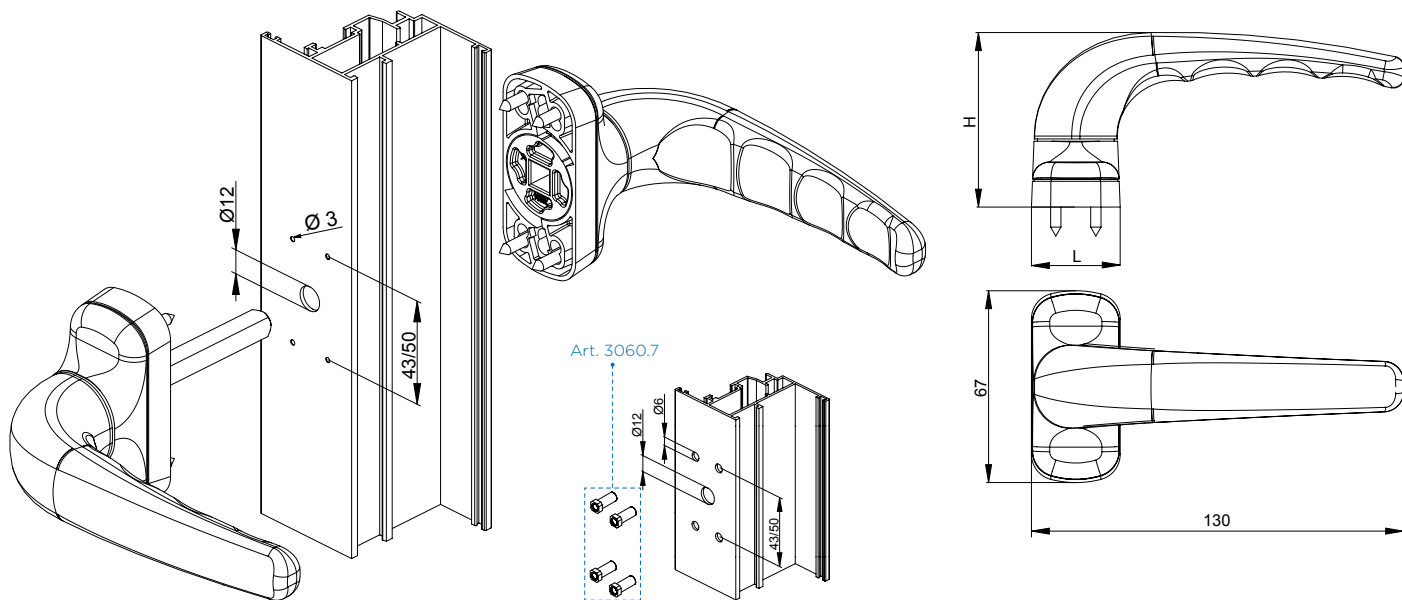


Mango de aluminio fundido a presión; caja, cobertura de caja y rotor de zamak; muelle de acero galvanizado; casquillos antifricción de delrin.



ART.	3060				3060.7			
Imballo Package Conditionnement Embalaje	* 15 5 Cp				20 Kit			
Finiture disponibili Available finishes Finitions disponibles Acabados disponibles	1	2	3	4	1	2	3	4

* Le confezioni delle cremonesi e delle martelline sono da 20 pezzi, ad esclusione delle versioni in finiture speciali e vintage "OLD" che sono da 5 pezzi.
* Cremone bolts and handles come in packages of 20, except for versions in special and "OLD" vintage finishes that are in packages of 5.



DESCRIZIONE DESCRIPTION	ART.	L	H
"COMFORT" Doppia maniglia "COMFORT" Double handle	3060	31	61
Kit di fissaggio con inserti filettati Fixing kit with threaded inserts	3060.7	---	---



SCANSIONA IL QR CODE E GUARDA
IL NOSTRO CANALE YOUTUBE
*SCAN QR CODE AND FIND OUT
MASTER TUBE CHANNEL.*



Master Italy S.r.l.
S.P. 37 Conversano - Castiglione km 0,570 - Conversano (BA) Italy
Customer Service +39 080 4959823 -Fax. +39 080 4959030
info@masteritaly.com

MASTER implements its environmental policy by FSC Certification and by using low environmental impact inks.
This product has been printed under chain of custody (COC) and using only vegetable based inks.

