

Smart solutions for global window systems.



RING

CRICCHETTO IN ZAMA



Cricchetto in zama | Zamak catch
 Cliquet en zamak | Golpete de zamac



Corpo e riscontro in zama; vite e piastrine in acciaio inox; molla in acciaio; corpo mobile in nylon.



Body and handle in zamak; stainless steel screw and plates; steel spring; nylon moving body.



Corps et gâche en zamak; vis et plaques en acier inox; ressort en acier; corps mobile en nylon.

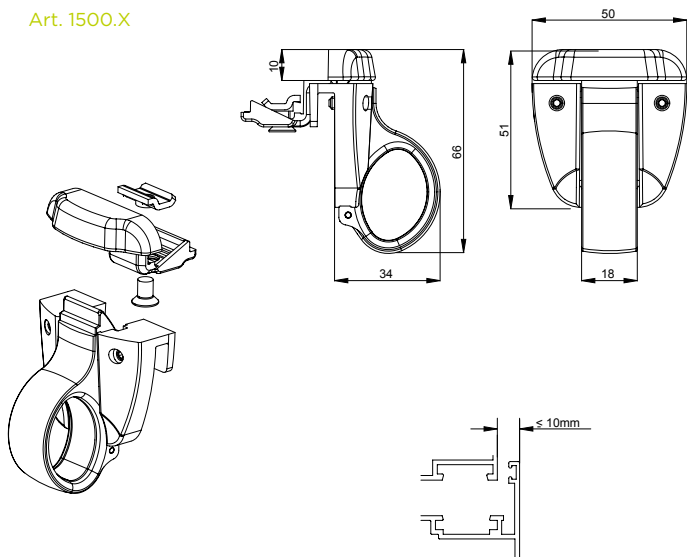


Cuerpo y cerradero de zamac; tornillo y plaquetas de acero inox; muelle de acero; cuerpo móvil de nylon.

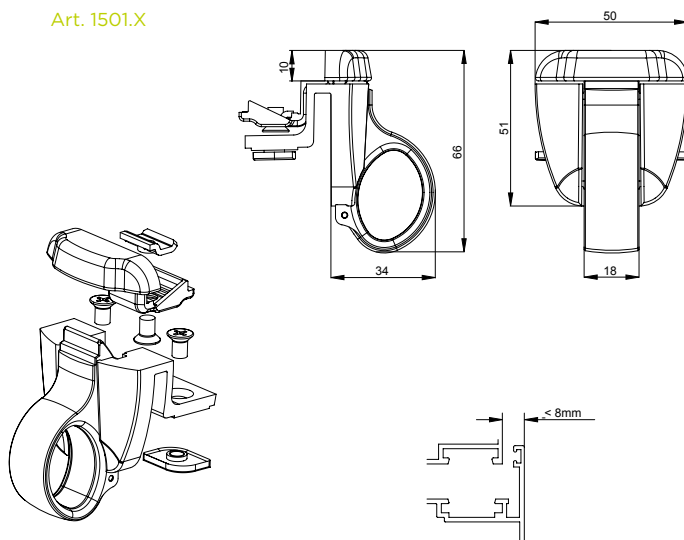


ART.	Tutti All Tous Todos
Imballo Package Conditionnement Embalaje	20 PZ
Finiture disponibili Available finishes Finitions disponibles Acabados disponibles	1 2 3 4

Art. 1500.X



Art. 1501.X



DESCRIZIONE DESCRIPTION	ART.	NODO SECTION
Cricchetto ad aggancio con grani Catch with clasping by setscrew	1500.1	A08 - A10 - A16
	1500.2	A01 - A05 - A20 - A21 - A22
	1500.3	A11
	1500.4	A23 - A17
	1500.5	A01 - A02 - A05 - A06
	1500.6	A12

DESCRIZIONE DESCRIPTION	ART.	NODO SECTION
Cricchetto ad aggancio a piastrine Catch with rapid clasping by plate	1501.1	A08
	1501.2	A01 - A05 - A20 - A21 - A22
	1501.5	A01 - A05



SCANSIONA IL QR CODE E GUARDA
IL NOSTRO CANALE YOUTUBE
*SCAN QR CODE AND FIND OUT
MASTER TUBE CHANNEL.*



Master Italy S.r.l.
S.P. 37 Conversano - Castiglione km 0,570 - Conversano (BA) Italy
Customer Service +39 080 4959823 -Fax. +39 080 4959030
info@masteritaly.com

MASTER implements its environmental policy by FSC Certification and by using low environmental impact inks.
This product has been printed under chain of custody (COC) and using only vegetable based inks.

