

# Smart solutions for global window systems.



# CERNIERA A PETTINE IN ALLUMINIO ESTRUSO



Cerniera a pettine in alluminio estruso | Comb hinge in extruded aluminium | Paumelle a peigne en aluminium extrudé | Bisagras de tres alas de aluminio extruido



Cerniera lato telaio e lato anta in alluminio estruso, piastrine in zama, boccole e tappini in nylon, viti e perno in acciaio inox.



Frame side and shutter side in extruded aluminium, zamak plates, nylon bushings and caps, stainless steel screws and pin.



Paumelle côté dormant et côté ouvrant en aluminium extrudé, plaques en zamak, bagues et bouchons en nylon, vis et pivot en acier inox.

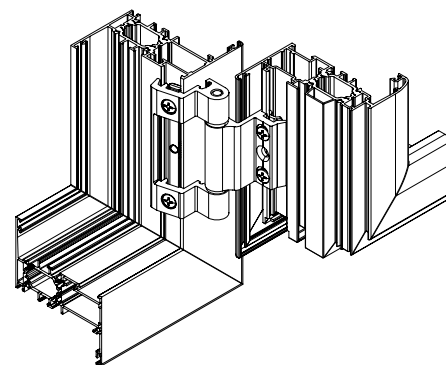
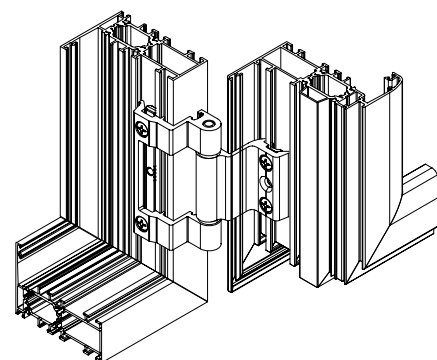
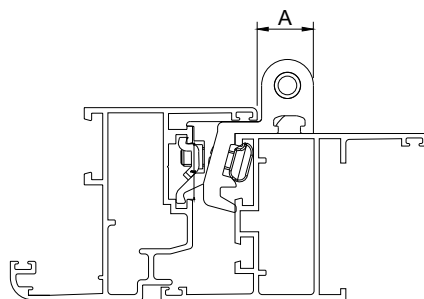
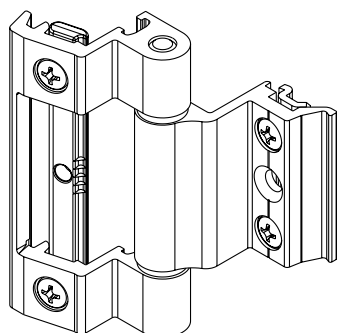


Bisagra del lado del marco y de la hoja de aluminio extruido, placas de zamak, casquillos y tapones de nylon, tornillos y pernio de acero inox.



ART.	TUTTI   ALL   TOUS   TODOS
Imballo   Package   Conditionnement   Embalaje	10 PZ
Finiture disponibili   Available finishes Finitions disponibles   Acabados disponibles	1 2 3 4

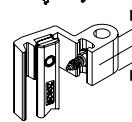
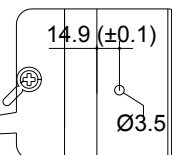
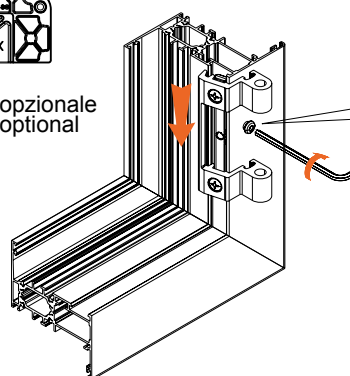
Art. 3420.71 | 3421.71



Dima / template  
3400.50\*



\*opzionale  
optional



DESCRIZIONE DESCRIPTION	ART	NODO SECTION	A
Cerniera a pettine in alluminio estruso Comb hinge in extruded aluminium	3420.71	A01 - A02 - A03 - A04 A05 - A06 - A07	15
Cerniera a pettine in alluminio estruso Comb hinge in extruded aluminium	3421.71	A08	15



SCANSIONA IL QR CODE E GUARDA  
IL NOSTRO CANALE YOUTUBE  
*SCAN QR CODE AND FIND OUT  
MASTER TUBE CHANNEL.*



Master Italy S.r.l.  
S.P. 37 Conversano - Castiglione km 0,570 - Conversano (BA) Italy  
Customer Service +39 080 4959823 -Fax. +39 080 4959030  
info@masteritaly.com

MASTER implements its environmental policy by FSC Certification and by using low environmental impact inks.  
This product has been printed under chain of custody (COC) and using only vegetable based inks.

